

"Placerville, a Unique Historical Past Forging into a Golden Future"



City Manager's Report
May 12, 2015 City Council Meeting
Prepared By: Steve Youel
Item#: 8.8

Subject: Adopt a Resolution declaring approximately 4,800 linear feet of reclaimed lumber as surplus property and authorize the release of the said lumber to the El Dorado High School Industrial Technical Education Department in exchange for two eight foot picnic tables.

Discussion: Due to safety concerns, City staff dismantled an abandon redwood water tank that was located at the old Water Treatment Plant site on Pardi Way. Approximately 4,800 linear feet of redwood consisting of different dimensions and lengths from 8 foot to 12 foot were removed from the site. The redwood has been stockpiled in the City's Corporation Yard for approximately two years. The wood is beginning to deteriorate and will soon be of no value for future use. As a result of the current condition of the wood, staff is seeking authorization to donate the wood to the El Dorado Union High School Industrial Technical Education program. Under the direction of teacher Lance Gunnensen, students will design (see attached) and assemble two picnic tables to be donated back to the City of Placerville. Once completed, the tables will be dispersed throughout the new section of the City's El Dorado Trail. The remaining surplus lumber will be utilized for other City projects such as Community Gardens and Parks.

Options: 1.) Continue to store lumber at the Corporation Yard until another use for the wood can be found.
 2.) Sell lumber at public auction.

Cost: If sold at public auction, the salvaged redwood beams and planks have an estimated value of \$3,500.00. The purchase price for one Old-Growth redwood table of similar design is approximately \$4,000.00. If two tables are donated back to the City, the City will realize an estimated \$4,500.00 return on their investment.

Budget Impact: None

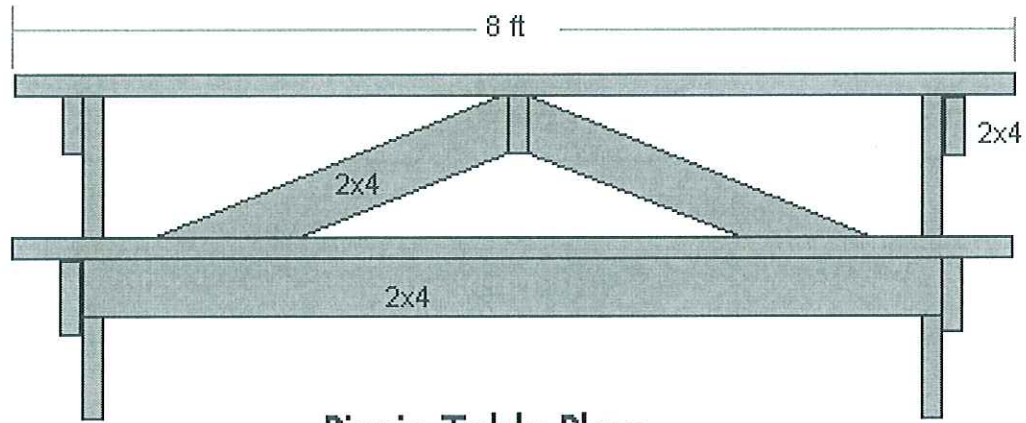
Recommendation: Adopt a Resolution declaring approximately 4,800 linear feet of reclaimed lumber as surplus property and authorize the release of the said lumber to the El Dorado High School Industrial Technical Education Department in exchange for two eight foot picnic tables.

Attachment: Design Drawings

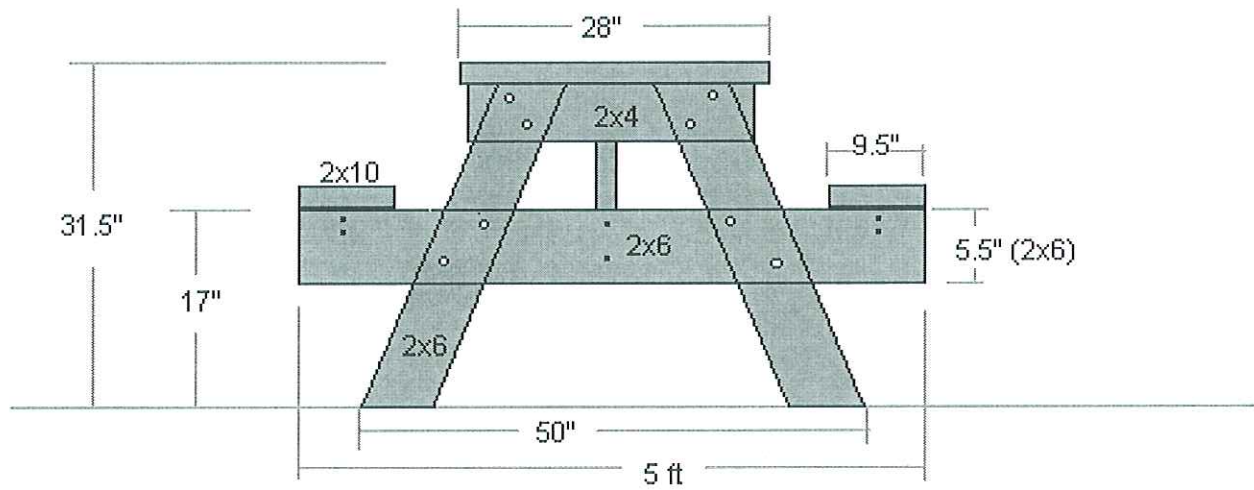

 M. Cleve Morris, City Manager


 Steve Youel, Director of Community Services


 Dave Warren, Director of Finance



Picnic Table Plans



RESOLUTION NO. _____

**RESOLUTION OF THE CITY COUNCIL OF THE CITY OF
PLACERVILLE DECLARING APPROXIMATELY 4,800 LINEAR FEET OF
RECLAIMED LUMBER AS SURPLUS CITY PROPERTY AND AUTHORIZE
THE RELEASE OF THE SAID LUMBER TO EL DORADO HIGH SCHOOL
INDUSTRIAL TECHNICAL EDUCATION DEPARTMENT IN EXCHANGE
FOR TWO EIGHT FOOT PICNIC TABLES**

WHEREAS, due to safety concerns, City staff dismantled an abandon redwood water tank; and

WHEREAS, approximately 4,800 linear feet of redwood was removed from the site; and

WHEREAS, the lumber is beginning to deteriorate; and

WHEREAS, students at El Dorado High School are willing to except the lumber as a donation; and

WHEREAS, two eight foot tables will be constructed by El Dorado High School students and gifted back to the City.

NOW, THEREFORE, BE IT RESOLVED that the City Council of the City of Placerville declares approximately 4,800 linear feet of reclaimed lumber as surplus City property and authorize the release of the said lumber to El Dorado High School Industrial Technical Education Department in exchange for two eight foot picnic tables.

The foregoing Resolution was introduced at a regular meeting of the City Council of the City of Placerville held on May 12, 2015 by Councilmember _____ who moved its adoption. The motion was seconded by Councilmember _____. The motion was passed by the following vote:

:

AYES:

NOES:

ABSENT:

ABSTAIN:

There being a majority of votes "AYE", Motion carried and was so ordered.

Mayor, Patricia Borelli

Attest:

Susan Zito, CMC, City Clerk